



FIRST ARTICLE INSPECTION REPORT



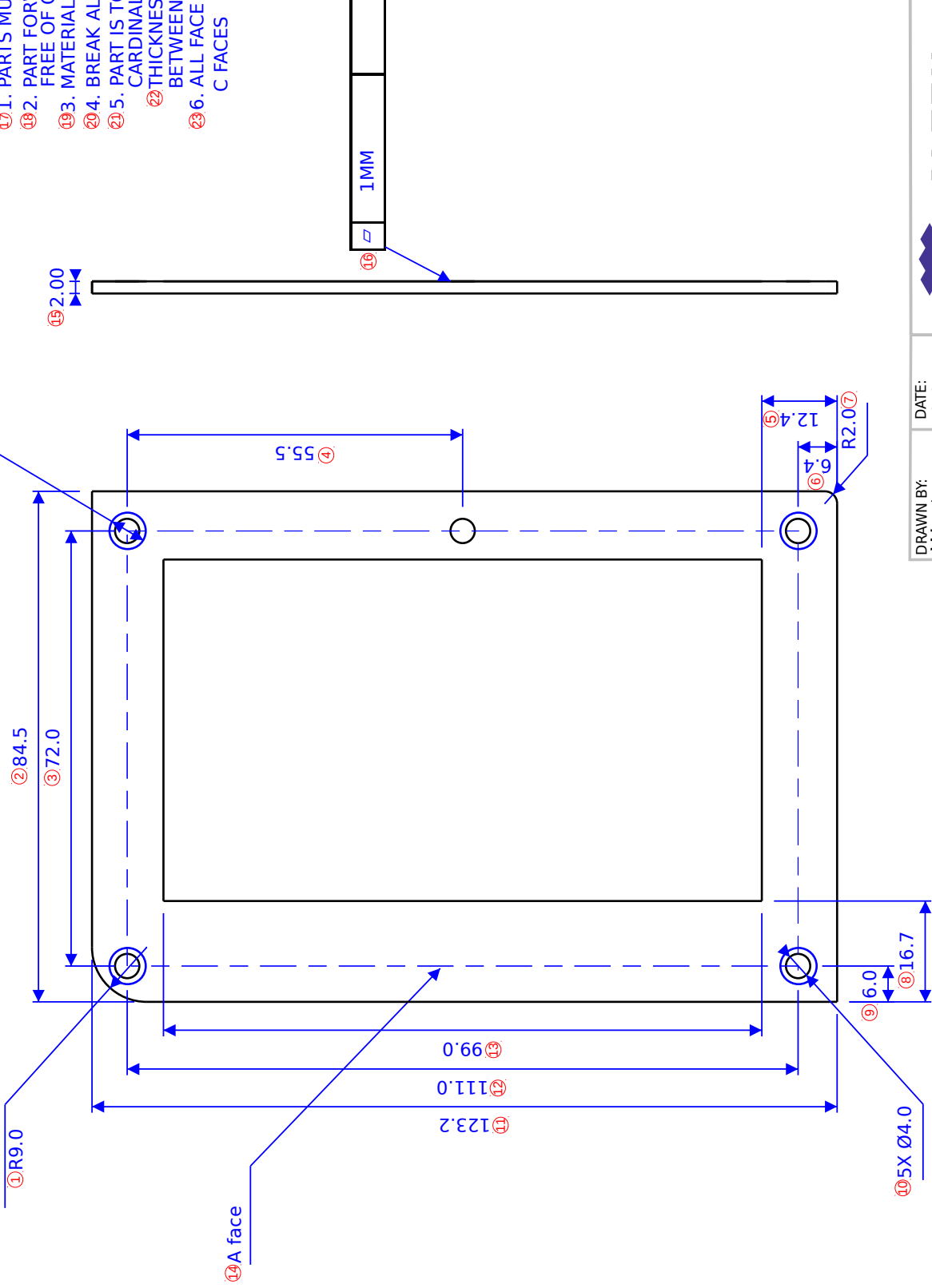
Part number: PP-MP0272		Version: IR	
Description: Kangaroo Paw, Touch Screen Cover - Machined			
Supplier: Epocs		PO: PO31689	Date: 06-07-2019

Number	Device	Target	Tolerance	Actual	Result
1	Radius gauge	R9.0	±0.75	ok	Pass
2	Caliper	84.5	±0.75	84.60	Pass
3	Caliper	72.0	±0.75	71.79	Pass
4	Caliper	55.5	±0.75	55.40	Pass
5	Caliper	12.4	±0.75	12.63	Pass
6	Caliper	6.4	±0.75	6.5	Pass
7	Radius gauge	R2.0	±0.75	ok	Pass
8	Caliper	16.7	±0.75	16.75	Pass
9	Caliper	6.0	±0.75	5.76	Pass
10	Pin gauge	5X Ø4.0	±0.75	ok	Pass
11	Caliper	123.2	±0.75	123.35	Pass
12	Caliper	111.0	±0.75	111.00	Pass
13	Caliper	99.0	±0.75	99.83	Pass
14		A face			
15	Caliper	2.00	±0.25	2.17	Pass
16	Flat stone and feeler gauge	∟ 1MM		ok	Pass
17		RoHS ok			
18	Eyes	Clean		ok	Pass
19	Eyes	Aluminum		ok	Pass
20	Eyes	Not sharp		ok	Pass
21	Eyes	White		ok	Pass
22	Coating thickness gauge	0.085	±0.035	ok	Pass
23		C faces			

⑥ MASK 4X Ø6.0 PRIOR TO POWDER COAT

NOTES:

- ①7. PARTS MUST BE ROHS COMPLIANT
- ①9. PART FORWARD FACE MUST BE CLEAN, FREE OF OIL, DEBRIS,
- ①3. MATERIAL: 12AWG (0.08") ALUMINUM
- ②0. BREAK ALL SHARP EDGES
- ②5. PART IS TO BE POWDER COATED WITH CARDINAL COLOR CO31-WH120
- ②2. THICKNESS OF COATING MUST BE BETWEEN 0.05 AND 0.12MM
- ②3.6. ALL FACE NOT CALLED OUT ARE C FACES



DRAWN BY: West
DATE: 4/8/19

MATERIAL: See notes

UNLESS OTHERWISE SPECIFIED DIMENSIONS ARE IN MILLIMETERS.
TOLERANCES ARE:
DECIMALS ANGLES
X±.75 X°±1°
XX±.25
XXX±.125
XXXX±.050
63
BREAK EDGES 0.1/0.5
FILLET RADIUS 0.1/0.5



626 West 66th Street
Loveland, Colorado 80538, USA
Phone +1-970-377-1111
www.alephobjects.com

TITLE

touchscreen_cover_machined

SIZE DWG NO. PP-MP0272
A

SCALE NA DO NOT SCALE DRAWING SHEET 1 of 1

REV. IR