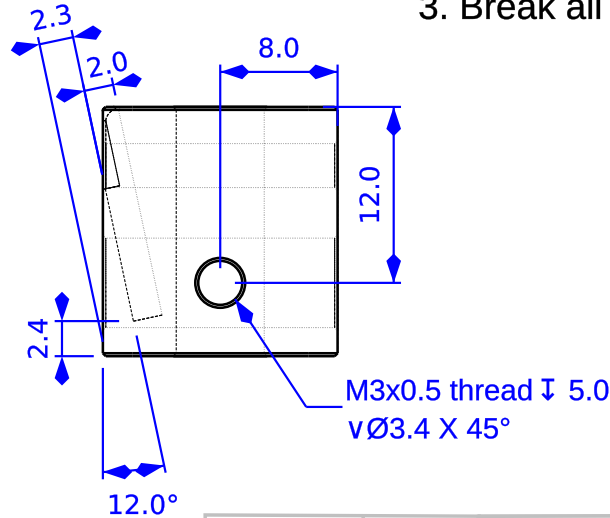
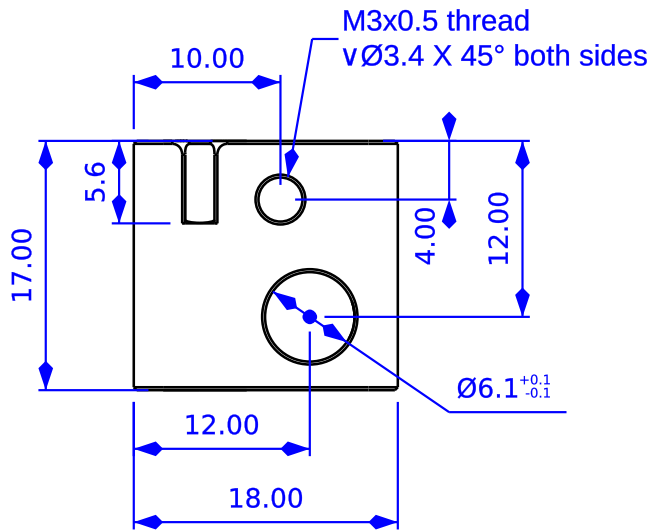


Notes:

1. Parts must be RoHS compliant
2. Parts must be clean, free of oil and debris
3. Break all edges



DRAWN BY: <b>Kent</b>	DATE: <b>9/7/18</b>
MATERIAL: <b>6061 Aluminum</b>	
UNLESS OTHERWISE SPECIFIED DIMENSIONS ARE IN MILLIMETERS. TOLERANCES ARE:	
DECIMALS .X±.75 .XX±.25 .XXX±.125 .XXXX±.050	ANGLES X°±1° 63
BREAK EDGES 0.1/0.5 FILLET RADIUS 0.1/0.5	



**ALEPH  
OBJECTS**  
INCORPORATED

626 West 66th Street  
Loveland, Colorado 80538, USA  
Phone +1-970-377-1111  
www.alephobjects.com

TITLE

**AO-hex Heater block**

SIZE  
**A**

DWG NO.

**PP-FP0134**

REV.  
**4.3**

SCALE

n/a

DO NOT SCALE DRAWING

SHEET

1 of 1